

Aggregated Model of Virtual Power Plants for Transient Frequency and Voltage Stability Analysis

Junru Chen, *Member, IEEE*, Muyang Liu, *Member, IEEE*, Federico Milano, *Fellow, IEEE*

Abstract—The Virtual Power Plant (VPP) has been proposed to aggregate Distributed Generations (DGs) to act like a single power plant, thus, also has functions on the frequency and voltage support. The previous models of the VPP are static and focus on the energy trading and management. For the system transient response analysis, a dynamic VPP model must be needed. The paper proposes a reduced-order yet accurate aggregated model to represent VPP transients for the stability analysis of power systems. The goal is to provide a model that is adequate for system studies and can serve to the Transmission System Operator (TSO) to evaluate the impact of VPPs on the overall grid. The proposed model can accommodate the transient response of the most relevant controllers included in the distributed generators that compose the VPP. Using a comparison with a real-time detailed Electro-Magnetic Transients (EMT) models of the VPP confirms the validity of the proposed aggregated model. The case studies based on the IEEE 39-bus system verifies the accuracy of the proposed aggregated model on the system stability analysis.

Index Terms—Virtual Power Plant (VPP), Fast Frequency Response (FFR), voltage stability, frequency stability.

I. INTRODUCTION

A. Motivation

In the context of the power system migrating into higher Distributed Generations (DGs), the concept of the Virtual Power Plant (VPP) has been proposed to aggregate these DGs units and/or load, and to coordinate to act like a single power plant [1]. In order to maintain the system frequency and voltage stability, VPPs like any other power plants, are expected to have frequency and voltage support capabilities. However, the VPP consists of a number of DGs, each of which has its own transient response. A model able to represent the transient response of a VPP as a single dynamic device is sought by TSOs but still missing. This paper addresses this issue and proposes an aggregated VPP model for transient stability analysis.

B. Literature Review

The vast majority of existing aggregated VPP models are aimed to solve the economic dispatch and energy management problems and are thus steady-state models [1], [2]. Instead, to date, the transient analysis of the high renewable system is based on the separated DG models. Based on their control,

i.e. current sources or voltage sources, these DGs are classified into Grid-Following (GFL) and Grid-Forming (GFM) respectively [3]. References [4] and [5] propose a detailed full-order model for the GFL-DG and GFM-DG accordingly.

Since converter dynamics are fast with respect to the electromechanical modes and regulators of synchronous machines, the dominant dynamics of a DG comes from their controllers. Based on this observation, references [6] and [7] propose a 2nd-order model of the GFL-DG and GFM-DG. However, even with such second-order DG models, the computational burden may still be considerable if the number of units that compose the VPP is high. Moreover, from the viewpoint of a TSO, it is not viable to model the transient behavior of each small unit included in a VPP. TSOs, in fact, only need to know the transient response of the VPP as a whole.

Aggregating several small units into a simple(er) model is common practice. TSOs often employ aggregated grid models for dynamic security assessment. For example, the 179-bus Western Electricity Coordinating Council (WECC) system is aggregated from the original 10,000+ bus transmission system. Fast frequency response analysis is based on the aggregated models, for example, reference [8] proposes a transfer function to aggregate all the synchronous generators and reference [9] proposes a generic transfer function to represent all of generations in the power system. For a more accurate frequency analysis in time domain simulation, reference [10] proposes a model to aggregate the multiple wind machine system into a single wind generator, reference [11] proposes method to aggregate the multiple grid-feeding converter system into a second order model and reference [12] proves that the virtual inertia response of the wind turbine can be aggregated into a similar form of the swing equation.

Most of the work interests on the system frequency response thus above models are based on the assumption that the voltage of the DG keeps constant. However, in reality, the occurrence of any contingency disturbs the grid voltage and enforces the DG reaction on the voltage. The transient voltage regulation in the DG will affect its active power output and further affects the grid frequency. This interaction differs with the DG controls.

the DG works on the GFL mode and its voltage keeps constant. With regard to the VPP, it actually mixes GFL and GFM units with various frequency and voltage controls, so that its response is more involved. In order to model the entire VPP accurately, the system identification, such as inertia estimation [13] and grid impedance estimation [14], is required to determine the parameters of the aggregated model. To the best of the authors' knowledge, such a model has not been proposed so far.

M. Liu and J. Chen are currently with Xinjiang University, China. At the time of preparing this work, the authors were with the School of Electrical and Electronic Engineering, University College Dublin, Ireland. (E-mails: junru.chen.1@ucdconnect.ie, muyang.liu@ucd.ie and federico.milano@ucd.ie).

This work is supported by the European Commission, by funding Junru Chen and Federico Milano under the Project EdgeFLEX, Grant No. 883710; and by the Science Foundation Ireland, by funding Muyang Liu and Federico Milano, under Investigator Program Grant No. SFI/15/IA/3074.

C. Contributions

This work proposes an aggregated VPP model able to accurately reproduce the transient response of a VPP at the fundamental frequency for the transient frequency and voltage stability analysis. The secondary control of the VPP can ensure a solid output from all the internal DGs in the forthcoming commission period. The use case is to analyse the system response in the situation of the contingency occurrence, i.e. generator outage, load change and line outage. Thus, the aggregated model is based on the assumption that all the internal DG units working in unsaturated situation and working in the symmetrical situation. Since the units in a VPP can be either GFL or GFM, the proposed VPP model consists of a voltage source and a current source in parallel to emulate synchronization transients separately. The load in the VPP is modeled according to their location to minimize the effect of the voltage-dependent load on frequency and voltage response [15]. The proposed VPP model is verified via a fully-fledged EMT model and via a RMS transient stability model based on the IEEE 39-bus system.

D. Organization

The remainder of the paper is organized as follows. Section II reviews the basic concept of VPP and analyzes the transients of its internal units. Section III proposes the aggregated VPP model. Section IV validates the proposed aggregated model by comparing it with a detailed VPP EMT model in Matlab/Simulink. In Section V, the IEEE 39-bus system serves to show the accuracy of the proposed model for the system dynamic security assessment. Conclusions are drawn in Section VI.

II. VIRTUAL POWER PLANT AND ITS CONTROL

A VPP is a cluster of DGs with several different technologies, e.g. wind generator (WT), PV panels, electric vehicle (EV) chargers, electrical storage system (ESS) and loads as shown in Fig. 1. VPP can coordinate their internal units via the dual-directional communication system. The control tasks of the VPP are separated in its time scales, using threefold hierarchical layout including primary control, secondary control and tertiary control [16]. The latter two controls are centralized and implemented by Distribution System Operators (DSOs) and are not further considered in this work.

The primary control, on the other hand, is implemented into the individual units to achieve fast frequency response, and primary frequency and voltage response. For the system dynamic security assessment by TSOs, the knowledge of the frequency and voltage supporting capabilities, the transient response and the grid power injection at the Point of Connection (POC) is required. The remainder of this section provides a brief review on the general DG control strategies, i.e. Grid-Following (GFL) and Grid-Forming (GFM).

A. Grid following DG

The GFL-DGs is widely used in wind farms, PV plants and EV charger stations. It behaves like a current source, delivering

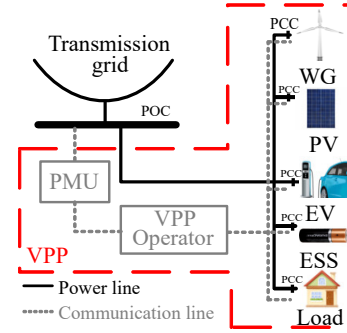


Fig. 1: VPP Structure.

the assigned current i_d, i_q or power p, q into the grid. Its grid synchronization is based on the voltage, using a Phase-Locked Loop (PLL) to track the phase of the voltage at the Point of Common Coupling (PCC). Note, PCC is a point of a single DG connecting to the rest of the VPP, while POC is a point of VPP connecting to the utility grid. Assuming that the phase angle of the PCC voltage is the reference, the phase of the VPP at the POC is $-\delta$. Then the q-axis PCC voltage in the synchronous dq-frame can be written as follows:

$$v_d = v_{\text{poc}} \cos(-\delta) - (\omega_g + \Delta\omega) l_g i_q, \quad (1)$$

$$v_q = v_{\text{poc}} \sin(-\delta) + (\omega_g + \Delta\omega) l_g i_d, \quad (2)$$

where ω_g is the grid frequency, $\Delta\omega$ is the PLL frequency deviation to the grid in transients, i.e. $\Delta\omega = \omega - \omega_g$, l_g is the grid inductance from the DG to the POC. The synchronization of the GFL-DG enforces v_q to be null as indicated in Fig. 2 and its time constant depends on the PI parameters, K_p, K_i normally in the range [50, 100] ms [17]. Of course, there are advanced PLLs [18] for the purpose of lower harmonics, but essentially, they all contain a proportional part for a quick stabilization and an integral part for a zero steady-state error on the grid frequency deviations. Thus, here we use the generic PI-based PLL for simplicity.

When the converter is perfectly synchronized with the grid, the q-axis PCC voltage v_q is null while the d-axis PCC voltage v_d equals to the voltage magnitude at the POC. Moreover, the active power and reactive power are fully decoupled in the steady state or $v_q = 0$.

The reference currents of the converter control are given by:

$$i_d^{\text{ref}} = \frac{p^{\text{ref}}}{v_d}, \quad i_q^{\text{ref}} = -\frac{q^{\text{ref}}}{v_d}, \quad (3)$$

where the reference active and reactive powers are given by:

$$p^{\text{ref}} = p^* + K_d(\omega^* - \omega) - M \dot{\omega}, \quad (4)$$

$$q^{\text{ref}} = q^* + K_q(v^* - v_d), \quad (5)$$

where ω^* and v^* are the nominal frequency and voltage, respectively. The active power reference (4) contains the feed-forward power p^* from the DC source of the DG and the power for the fast frequency response, i.e. df/dt response (inertia emulation) M , and the primary frequency control, i.e. f - P droop control K_d , where the frequency signal ω is the grid frequency detected by the PLL or Phasor Measurement Unit (PMU); and the reactive power reference (5) contains

the reactive power set point q^* and the compensated reactive power for the voltage support, i.e. the V - Q droop control K_q . Note, the virtual inertia in GFL could be achieved besides using ESS, the kinetic energy stored in turbine [19] and the de-loading control [20], but these all can be represented in the form of (4) [12].

The power delivered by the GFL-DG to the POC is:

$$p = i_d v_{poc} \cos(-\delta) + i_q v_{poc} \sin(-\delta), \quad (6)$$

$$q = -i_q v_{poc} \cos(-\delta) + i_d v_{poc} \sin(-\delta). \quad (7)$$

The resulting model of the GFL-DG is shown in Fig. 2, where the dynamics of the converter current controller have been neglected as their time scale is of the order of 1 ms and thus much faster than the synchronization dynamics and, hence, it has been assumed that $i_d = i_d^{\text{ref}}$ and $i_q = i_q^{\text{ref}}$ [6]. The computation of this GFL-DG reduced model includes 3 differential equations (two for PLL and one for RoCoF computation) and 7 algebraic equations.

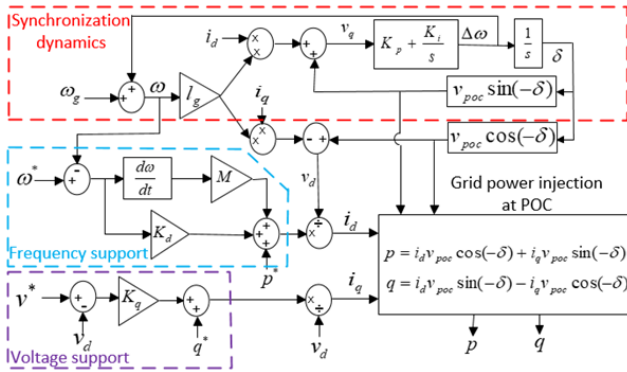


Fig. 2: GFL-DG dynamic model.

B. Grid forming DG

The GFM-DG is widely used in microgrids and is aimed at substituting the Synchronous Generator (SG) to impose the voltage and frequency to the grid. Its grid synchronization is based on the same principle as the SG, i.e. based on the power balance. A particular synchronization method for GFM-DGs is the Virtual Synchronous Generator (VSG), which consists in emulating the inertia through a swing equation. Again assuming that the PCC is the reference, the phase of the VPP at the POC is $-\delta$. Then the synchronization of the VSG is given by:

$$M\dot{\omega} = p - p^* + K_d(\omega^* - \omega_g) + D(\omega - \omega_g), \quad (8)$$

where D is the damping coefficient. Note, the virtual inertia in GFM could be achieved besides using ESS, the power synchronization control [21] and DC voltage-based inertia emulation [22], but these all can be represented in the form of (8) [23]. The voltage support in the GFM-DG is an Automatic Voltage Regulation (AVR) with gain K_v as in SGs:

$$v = v^* + K_v(v^* - v_{poc}). \quad (9)$$

Since the GFM-DG controls the voltage directly, its reactive power couples to the active power and the power at the POC

is the consequence of the voltage difference between the PCC and POC. Assuming the system impedance is solely reactive, namely l_g , the power at the POC is:

$$p = \frac{v v_{poc}}{\omega l_g} \sin(\delta), \quad (10)$$

$$q = \frac{v v_{poc}}{\omega l_g} \cos(\delta) - \frac{v_{poc}^2}{\omega l_g}. \quad (11)$$

The dynamics of the converter voltage controller are of the order of 10 ms and are thus negligible. For the same reason, also the dynamics of the current controller are not considered, as in the model of the GFL-DG [7]. The resulting GFM-DG model is shown in Fig. 3. The computation of this GFM-DG reduced model includes 2 differential equations and 3 algebraic equations.

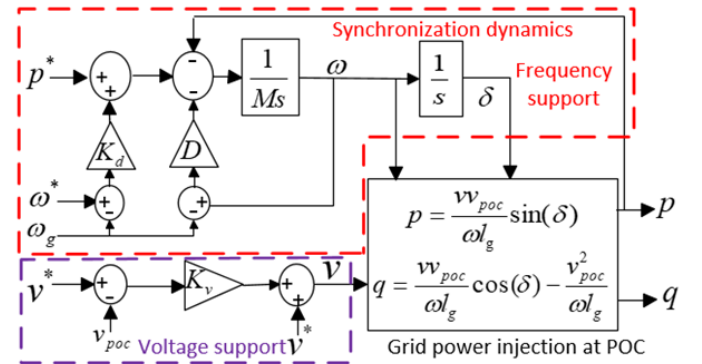


Fig. 3: GFM-DG dynamic model.

III. AGGREGATED VPP MODEL

As discussed above, the GFL-DG and GFM-DG have different dynamic responses. To properly capture their transients, thus, the proposed aggregated VPP model includes one current and one voltage source. Then, the distributed loads in a VPP can be represented with three aggregated loads, according to their locations as indicated in Fig. 4, where the impedance connecting to the POC is used to represent the effect of the VPP system impedance on the DG dynamics as shown in Fig. 2 and Fig. 3.

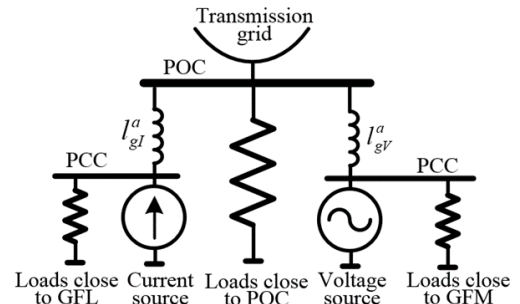


Fig. 4: VPP equivalent model.

Note that, in steady-state, since the GFL-DGs controls active and reactive power directly, the aggregated current source is modelled as PQ bus with negative powers; whereas, since

GFM-DGs controls the active power and the voltage directly, the aggregated voltage source model is modelled as a PV bus.

The remainder of this section discusses the definition of the parameters of the aggregated VPP model shown in Fig. 4.

A. Aggregated Current Source Model

Let us assume that the VPP includes n GFL-DGs. Taking the POC as the observation point, these GFL-DGs can be represented by a Norton equivalent circuit where the n current sources are connected in parallel. The resulting aggregated model can be easily obtained as the sum of their currents and multiple of their impedances, as follows:

$$i_d^a = \frac{\sum_{i=1}^n p_i^* + \sum_{i=1}^n \Delta p_i}{v_d}, \quad (12)$$

$$i_q^a = -\frac{\sum_{i=1}^n q_i^* + \sum_{i=1}^n \Delta q_i}{v_d}, \quad (13)$$

and

$$\frac{1}{l_{gI}^a} = \sum_{i=1}^n \frac{1}{l_{g,i}}, \quad (14)$$

where, Δp_i (Δq_i) is the active (reactive) power compensation of the GFL-DG i for the frequency (voltage) support. Considering the power compensation from each GFL is (4) and (5), the total power compensation can be computed as:

$$\sum_{i=1}^n \Delta p_i = \sum_{i=1}^n K_{d,i}(\omega^* - \omega_i) - \sum_{i=1}^n M_i \dot{\omega}_i, \quad (15)$$

$$\sum_{i=1}^n \Delta q_i = \sum_{i=1}^n K_{q,i}(v^* - v_{\text{poc}}), \quad (16)$$

where we assume that the set points ω^* and v^* are the same for all GFL-DGs. In turn, the f - P gain, Rate of Change of Frequency (RoCoF) gain and V - Q gain of the aggregated current source are the sum of the values of all GFL-DG included in the VPP.

The synchronism difference of the GFL-DGs mainly depends on the term $l_g i_d$ in Fig. 2. The larger $l_g i_d$, the longer the synchronizing dynamics, in fact, the feed-forward loop of the GFL-DG synchronizing dynamics depends on $l_g i_d (K_p + \frac{K_i}{s})$. Based on this observation, the aggregated PLL parameters can be computed as the weighted sum of the PI parameters of all GFL-DGs in the VPP as indicated in (17). Since $i_{d,i}$ in reality is variable, for simplicity, in the computation of the synthetic PLL parameter, assuming the active and reactive power is decoupled, the active current then can be represented by the active power reference as follows:

$$K_p^a + \frac{K_i^a}{s} = \frac{\sum_{i=1}^n l_{g,i} i_{d,i} (K_{p,i} + \frac{K_{i,i}}{s})}{\sum_{i=1}^n l_{g,i} i_{d,i}} \approx \frac{\sum_{i=1}^n l_{g,i} p_i^* (K_{p,i} + \frac{K_{i,i}}{s})}{\sum_{i=1}^n l_{g,i} p_i^*}. \quad (17)$$

Substituting the synthetic parameters i_d^a , i_q^a , l_g^a , K_p^a and K_i^a into Fig. 2, we obtain the aggregated current sources and (1), (2) and (12)-(7) constitute the resulting Differential-Algebraic Equation (DAE) model of the aggregated current source.

B. Aggregated Voltage Source Model

Let us assume that the VPP includes m GFM-DGs. Taking the POC as the observation point, the GFM-DGs can be represented by a Thevenin equivalent circuit where the m voltage sources are connected in parallel. The resulting aggregated model is a voltage source connected to the POC through a line. The active power of the aggregated voltage source is the sum of the active powers of all GFM-DGs:

$$p^a = \sum_{i=1}^m p_i \approx v_i v_{\text{poc}} \sin \delta_i \sum_{i=1}^m \frac{1}{\omega_o l_{g,i}}, \quad (18)$$

where, for simplicity the ω_i 's of the GFM-DGs have been approximated as the reference angular speed, namely $\omega_i \approx \omega_o$. Similarly, the reactive power at the POC is given by:

$$q^a = \sum_{i=1}^m q_i \approx v_i v_{\text{poc}} \cos \delta_i \sum_{i=1}^m \frac{1}{\omega_o l_{g,i}} - v_{\text{poc}}^2 \sum_{i=1}^m \frac{1}{\omega_o l_{g,i}}. \quad (19)$$

From (18) and (19), the aggregated line impedance l_{gV}^a of the aggregated voltage source is computed similarly by (14) using all the Thevenin equivalent impedance of the GFM-DGs. Then, substituting (9) into (11) and (19), we obtain the reactive power due to the voltage change ($\Delta v = v^* - v_{\text{poc}}$) at the POC as follows:

$$\Delta q^a = \Delta v \sum_{i=1}^m \frac{K_{v,i} \cos \delta_i}{\omega_o l_{g,i}}, \quad (20)$$

where, again $\omega_i \approx \omega_o$, $\forall i = 1, \dots, m$. Finally, the aggregated AVR gain K_v^a is computed as the weighted sum of the AVR gain $K_{v,i}$ of all GFM-DGs:

$$K_v^a = \frac{\sum_{i=1}^m (K_{v,i} \cos(\delta_i) / \omega_o l_{g,i})}{\sum_{i=1}^m \cos(\delta_i) / \omega_o l_{g,i}} \approx \frac{\sum_{i=1}^m K_{v,i} q_i}{\sum_{i=1}^m q_i}. \quad (21)$$

As shown in Fig. 3, the dynamics of the frequency response and synchronization are in the same loop, whose dynamic behavior is determined by the inertia, damping and droop coefficients. The inertia M^a and droop K_d^a of the aggregated voltage source is simply the sum of inertias and droops of all GFM-DGs:

$$M^a = \sum_{i=1}^m M_i, \quad K_d^a = \sum_{i=1}^m K_{d,i}. \quad (22)$$

The equivalent angular speed (frequency) of the aggregated voltage source is obtained as weighted sum of the frequencies of all GFM-DGs, similarly to the concept of the Center of Inertia (CoI), as follows:

$$\omega = \frac{\sum_{i=1}^m M_i \omega_i}{\sum_{i=1}^m M_i}. \quad (23)$$

The synthetic damping within VPP consists of the damping in the DGs and the losses from the VPP grid resistances, thus, cannot be simply computed as the sum of the damping coefficients of the GFM-DGs. Essentially, damping is the friction power to prevent the frequency change. Based on this, we propose to compute the damping through the swing equation (8), as follows:

$$D^a = \frac{\sum_{i=1}^m p_i - p^* - K_d^a (\omega^* - \omega) + \dot{\omega} M^a}{\omega - \omega_g}. \quad (24)$$

Substituting the synthetic parameters K_v^a , M^a , K_d^a and D^a into the scheme represented in Fig. 3, we obtain the aggregated voltage source. Equations (8), (9) and (18)-(24) constitute the resulting DAE model of the aggregated voltage source.

C. Load

The GFL- or GFM-interfaced loads can be modelled and aggregated into previous current or voltage source model respectively with negative generation. While other l loads are generally modelled as voltage-dependent load:

$$p_{l,i} = p_{l0,i} \left(\frac{v_i}{v^*} \right)^{\alpha_i}, \quad q_{l,i} = q_{l0,i} \left(\frac{v_i}{v^*} \right)^{\beta_i}. \quad (25)$$

Where α_i/β_i is the voltage coefficient of the active/reactive power. When $\alpha_i = \beta_i = 0$, it is constant power loads, $\alpha_i = \beta_i = 1$, it is constant current loads, $\alpha_i = \beta_i = 2$, it is constant impedance loads. Loads are distributed in the region of the VPP and we assume that their voltage depends on the nearby DG. GFL-DGs control the power directly, while its terminal voltage is passively controlled as the consequence of the the assigned power set point. On the other hand, GFM-DGs control the voltage directly. Based on these observations, loads can be classified into three categories, according to the location:

- i. v_i is set to the voltage at the POC if the load is closed to the POC;
- ii. v_i is set to the voltage of the aggregated current source output if the load is closed to the GFL-DG;
- iii. v_i is set to the voltage of the aggregated voltage source output if the load is closed to the GFM-DG;

Then, the distributed loads are aggregated into three clusters, namely at the buses of the POC, current source and voltage source, respectively, as shown in 4. Note that, in reality, v_i is not exactly equal to the aggregated bus voltage. Hence a small mismatch on the loading is inevitable.

D. System Identification

A VPP generally measures $(v_i, i_{d,i}, i_{q,i})$ or (p_i, q_i, ω_i) at the terminal of each DG, and commands the set-point p_i^* , q_i^* , v^* , ω^* and the primary control gains $K_{d,i}$, $K_{q,i}$, $K_{v,i}$ to each DG according to the unit commitment of its secondary control. However, the internal dynamic parameters, inertia M_i , input inductance $l_{g,i}$ and damping D_i are not known by the VPP. For example, some of DGs use the adaptive and alternating inertia, and some feed forward the inertia of the turbine for the grid inertia provision. In the aggregated model, the damping can be identified with (24) but the inertia M_i and input impedance $l_{g,i}$ still need to be identified. The power system identification is a broad topic and still under researching. There are many methods in the literature. Here we only introduce one method based on [24]:

$$\dot{M}_i = T_{m,i}(\Delta P_i - K_{d,i}(\omega_i^* - \omega_i) - M_i \dot{\omega}_i) \text{sign}(\dot{\omega}_i). \quad (26)$$

where $T_{m,i}$ is the time constant of the inertia estimation.

The system reactance from each DG to POC can be computed via a derivation of the power flow equation (10) [25],

[26]:

$$l_{g,i} = \frac{v_i v_g \sin(\delta_i)}{\Delta p_i} \approx \frac{v_i v_g \int (\omega_i - \omega_g)}{\Delta p_i}. \quad (27)$$

The aggregated VPP model is completed. In comparison with a VPP full model, the construction of the model from $3n + 2m$ differential equations plus $7n + 3m + 2l$ algebraic equations is reduced to 5 differential equations plus 16 algebraic equations. The larger number of the units in the VPP, the larger computational relief using the aggregated model.

IV. MODEL VALIDATION

A real-time simulation solved in Matlab/Simulink is utilized to validate the proposed aggregation model against fully-fledged EMT models that represent each element of the VPP. The tested VPP is shown in Fig. 5. It consists of 2 GFL-DGs, 2 GFM-DGs and 4 loads connected to an infinite bus. This infinite bus is modelled as an ideal voltage source, with controlled frequency and voltage. The nominal frequency is 50 Hz. The base voltage is 10 kV and base power is 1 MW. The DG parameters as well as the aggregated voltage/current source model settings are given in Table I. For simplicity, the converter parameters are the same for all DGs and are given in Table II. The system parameters are shown in Fig. 5. The perturbances are a voltage change and frequency change of the ideal source.

TABLE I: DGs and aggregated model parameters.

Unit	M [MWs/rad]	K_d [MW/rad]	D [MW/rad]	K_v/K_q	l_g [H]
GFL1	1.0	110	-	600	0.157
GFL2	1.5	80	-	367	0.193
GFM1	0.6	50	50	0.9	0.135
GFM2	0.3	80	80	0.9	0.160
I-model	2.5	190	-	967	0.087
V-model	0.9	130	163	0.9	0.066

TABLE II: Converter parameters of DGs.

Parameter	Value	Parameter	Value
LCL filter ($\mu\text{H}/\text{L}$)	0.5/3/0.1	Voltage controller P/I	0.01/10.4
Current controller P/I	5000/10400	GFL1 PLL P/I	144/2560
GFL2 PLL P/I	126/2240	I-model PLL P/I	138/2450

A. Transient Response following Frequency Variations

This section verifies the accuracy of the aggregated model in response to a frequency change at the POC. The initial steady-state is characterized by 50 Hz frequency and 1 pu voltage at the POC. At $t = 2$ s, the frequency of the ideal source starts decreasing from 50 Hz s to 49.85 Hz with a 0.3 Hz/s slope. The frequency variation stops at 2.5 s. For simplicity and to better illustrate the dynamics, the results below only show the fast frequency response.

Figure 6 shows the comparison of the active power transients between the total power of the GFL-DGs (GFM-DGs) of the detailed model and the aggregated current (voltage)

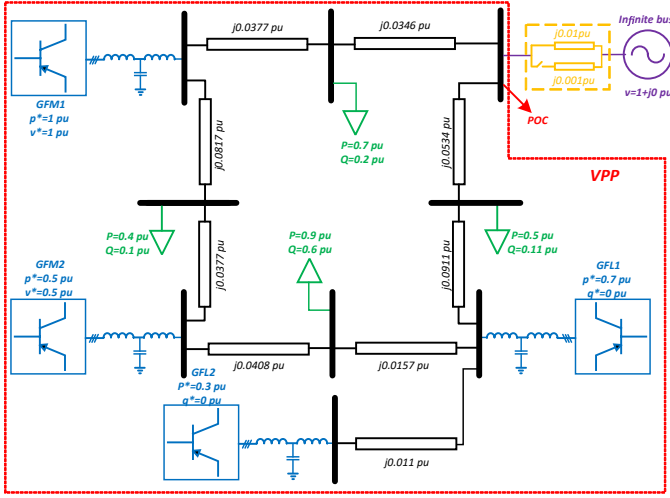
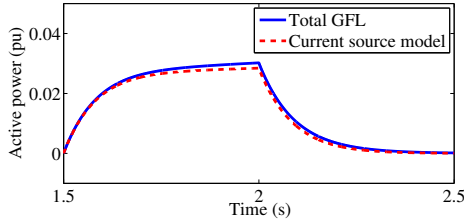
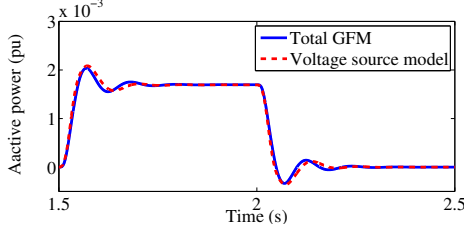


Fig. 5: VPP topology for EMT simulation.



(a) GFL-DGs vs. aggregated current source model.



(b) GFM-DGs vs. aggregated voltage source model.

Fig. 6: Active power transient response after a frequency variation.

source. The aggregated models appears to capture accurately the dynamics of the overall VPP.

Figure 7 shows the results of the reactive power transients between the detailed VPP and the proposed aggregated model. Both the detailed VPP and the aggregated model present a reduction of the reactive power. This reduction is due to the power coupling of the GFMs and the voltage dependent loads. Although the voltage level of the aggregated voltage source is set to match the initial reactive power of the detailed model, local GFM-DG voltages may be different in the detailed VPP model. Consequently, the reactive power response can show some small difference in the two models, as illustrated in (19). Similarly, as mentioned above, the aggregated load voltage may be different from the local voltages of the actual loads. These are the reasons why Fig. 7 shows a reactive power mismatch between the aggregated model and the detailed VPP. However, since the voltage differences in the GFM-DGs and/or in the load are generally small, such a mismatch is negligible.

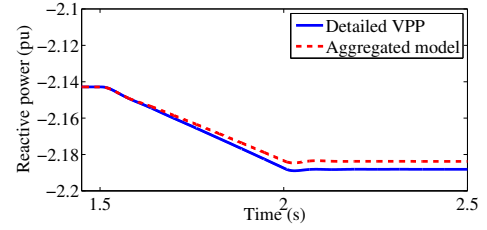


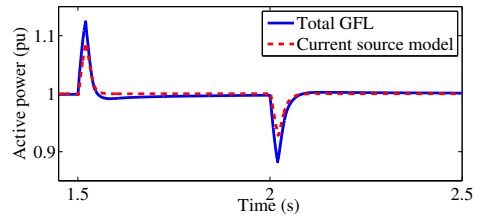
Fig. 7: Reactive power transient response after a frequency change.

B. Transient Response following Voltage Variations

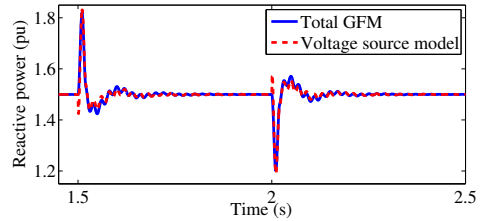
This section verifies the accuracy of the aggregated model in response to voltage step variations. The initial steady-state is characterized by 50 Hz frequency and 1 pu voltage at the POC. The voltage of the ideal source jumps from 1 pu to 0.9 pu at $t = 2$ s and recovers to 1 pu at $t = 2.5$ s.

Figure 8 shows the active power transients following the voltage variations. The dynamic response of the GFL-DGs show two aspects: (i) the negative feedback of the PLL synchronization; and (ii) the reactive power compensation. Because of these effects, the active and reactive powers of the GFL-DG are coupled during the transient. This leads to the spike in the active power at the instant of the voltage change. The aggregated model shows a lower peak on the active power than the detailed VPP, because it neglects the transients of the current controller.

With regard to the GFM-DGs, the steps in the voltage activates the AVR that, as a consequence, increases the output voltage of the DGs. This voltage regulation leads to the active power change as indicated in (18). Then the power synchronization of the GFM-DG moves the phase to re-track its power reference. This transient behavior is well reflected in the aggregated voltage source model. The sub-transient oscillation is due to the dynamic coupling between the swing equation and the system impedance [27]. This behavior is also accurately captured by the aggregated model.



(a) GFL-DGs vs. aggregated current source model.



(b) GFM-DGs vs. aggregated voltage source model.

Fig. 8: Active power transient response after voltage variations.

Figure 9 shows the reactive power transient of the detailed and aggregated VPPs. The voltage support of the VPP com-

pensates the reactive power following the POC voltage change. The aggregated model accurately captures such a reactive power compensation. Since the grid voltage before $t = 2$ s and after $t = 2.5$ s is the same, the reactive power trajectories at post fault are perfectly matched. However, during the POC voltage sag, there is a small mismatch due to the different voltage levels in the VPP grid. Again, this mismatch is small and does not affect the overall accuracy of the aggregated model.

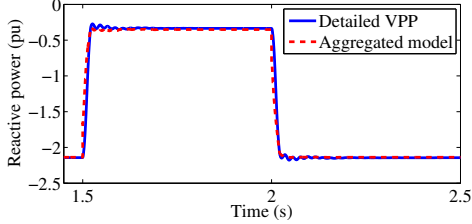
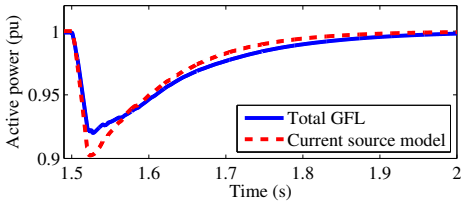


Fig. 9: Reactive power transient response after voltage variations.

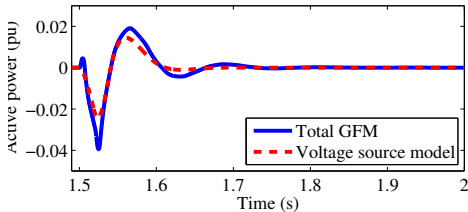
C. Transient Response following Grid Impedance Variation

This section verifies the accuracy of the aggregated model in response to the grid impedance variation. The infinite bus now connects to the VPP via a parallel transmission line, of which value is 0.01 pu and 0.001 pu. The line of 0.001 pu is cut off at 2 s.

Figure 10 shows the active power transients following the line outage. The aggregated model can basically capture the response of the VPP, but shows a higher mismatches for the aggregation of the GFL-DGs. This is because the phase at this time is jumped at the POC and the grid impedance increases. This lead to the transient current in the GFL-DGs lower its reference, thus, resulting in a less peak than the aggregated model with reference current output.



(a) GFL-DGs vs. aggregated current source model.

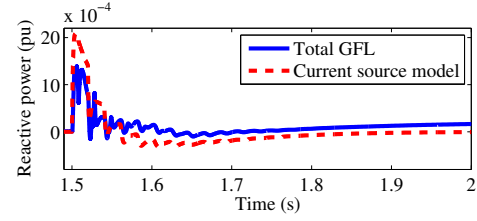


(b) GFM-DGs vs. aggregated voltage source model.

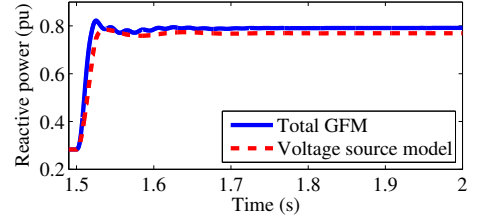
Fig. 10: Active power transient response after line outage.

Figure 11 shows the reactive power transients following the line outage. Since GFL-DGs applies the constant power control, the reactive power variation is insignificant, only in the order of 10^{-3} pu. The aggregated current source model

captures the synchronous resonance occurred in the GFL-DGs. On the other hand, the grid impedance change leads to the reactive power change in the GFM-DGs and this is well represented by the voltage source model as indicated in (20).



(a) GFL-DGs vs. aggregated current source model.



(b) GFM-DGs vs. aggregated voltage source model.

Fig. 11: Reactive power transient response after line outage.

V. CASE STUDY

This case study validates the fidelity of the aggregated model for system-wide applications, e.g. the dynamic security assessment solved by the TSOs. The grid is a modified New England 10-machine system with inclusions of 3 VPPs. Three SGs with nearby loads are replaced with the VPPs. The topology of the VPPs and the overall grid is shown in Fig. 12. For simplicity, the topology of each VPP is identical, but the capacities and parameters of the DGs are different (see Table III) as well as the distributed loads in the VPP.

For the detailed grid formulation, the GFL- and GFM-DGs are represented with full-order models [28], including the dynamics of voltage and current controllers and converter filters. The model of the SGs and their primary controls, i.e. AVRs and Turbine Governors (TGs), are given in [29].

This case study aims to verify the accuracy of the proposed aggregated model in different scenarios, namely, contingencies occurring at supply and demand buses as well as in the transmission system. The grid frequency is estimated with CoI. Finally, simulations are solved with Dome, a Python-based power system software tool [30].

The computation is carried out by the Dell Inspiron 15-3567 with 4 Intel Core i5-7200U 2.5 GHz. The computational time of the full model is 35.267 s while that of the aggregated model is 26.582 s. There is a 24.6 % reduction on the computational time. This reduction can be further increased for the modern power system with increasingly high penetration of VPP.

A. Eigenvalue Analysis

Before doing the time domain simulation, this section compares the eigenvalue of the system using aggregated models with that using detailed VPP models.

TABLE III: VPPs and its aggregation model parameters.

Unit	M	K_d	D	K_v/K_q	$l_g \omega$
VPP1-GFL1	0	35	-	100	$1.12 \cdot 10^{-3}$
VPP1-GFL2	20	52	-	88	$6.99 \cdot 10^{-4}$
VPP1-GFL3	45	44	-	65	$6.89 \cdot 10^{-4}$
VPP1-GFM1	20	35	35	0.9	$2.17 \cdot 10^{-4}$
VPP1-GFM2	42	50	50	0.9	$9.86 \cdot 10^{-4}$
VPP1-I-model	65	131	-	253	$2.65 \cdot 10^{-4}$
VPP1-V-model	62	85	85	0.9	$6.38 \cdot 10^{-3}$
VPP2-GFL1	21	46	-	73	$4.97 \cdot 10^{-4}$
VPP2-GFL2	10	82	-	81	$7.25 \cdot 10^{-4}$
VPP2-GFL3	0	44	-	37	$2.75 \cdot 10^{-3}$
VPP2-GFM1	75	55	55	0.9	$8.78 \cdot 10^{-4}$
VPP2-GFM2	52	34	34	0.9	$6.39 \cdot 10^{-3}$
VPP2-I-model	31	172	-	191	$2.66 \cdot 10^{-4}$
VPP2-V-model	127	89	89	0.9	$6.69 \cdot 10^{-3}$
VPP3-GFL1	15	36	-	23	$1.09 \cdot 10^{-3}$
VPP3-GFL2	18	22	-	31	$1.32 \cdot 10^{-3}$
VPP3-GFL3	8	19	-	17	$2.48 \cdot 10^{-3}$
VPP3-GFM1	31	42	42	0.9	$2.02 \cdot 10^{-3}$
VPP3-GFM2	27	18	18	0.9	$1.56 \cdot 10^{-3}$
VPP3-I-model	41	77	-	71	$4.81 \cdot 10^{-4}$
VPP3-V-model	58	60	60	0.9	$9.45 \cdot 10^{-3}$

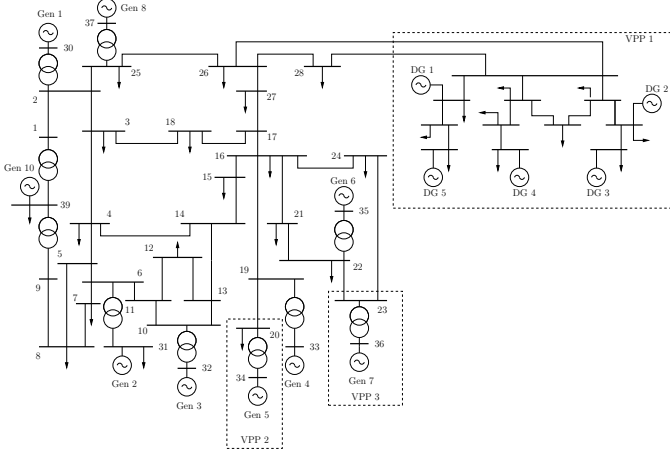


Fig. 12: VPPs in the modified New England system.

Figure 13 shows the comparison results of the critical eigenvalues. Due to the simplicity, the aggregated model has less number of the eigenvalues, but the dominated or right most eigenvalues are well represented. However, the detailed VPP, due to the control interactions, presents extra pairs of eigenvalues in the poor damped area, for example at $-0.17207 \pm j7.097100$. This will lead to oscillations at the corresponding frequency, i.e. 2.42 Hz, as proved latter in Fig. 14b, Fig. 15b and Fig. 16b.

B. Scenario 1: Generator Outage

This scenario considers the outage of the machine Gen 8 at $t = 1$ s. Figure 14 shows the trajectories of the grid frequency, the active power and reactive power of the VPP 1 at its POC, and the voltages at the nearby grid buses.

The active power response of the VPP can be accurately captured by the aggregated model, as shown in Fig. 14b, so

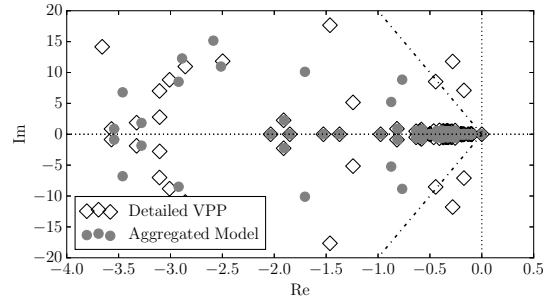
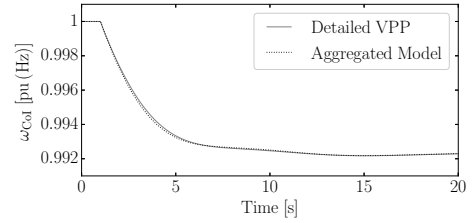
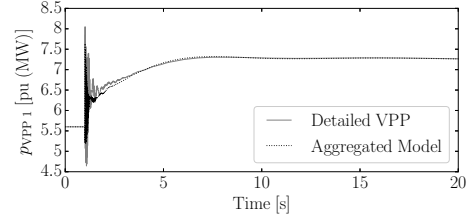


Fig. 13: Eigenvalue comparison between the detailed VPP and Aggregated Model.

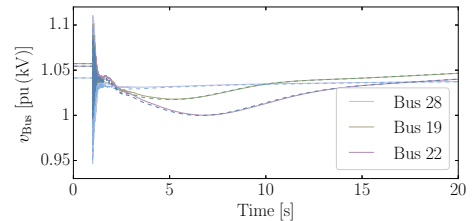
that the grid frequency response (see 14a) is identical to the one obtained with the detailed model. On the other hand, as expected, the reactive power, e.g. see Fig. 14d, obtained from the aggregated model shows a small mismatch with respect to that of the detailed VPP, thus, resulting in a small mismatch on the voltage response, as shown in Fig. 14c.



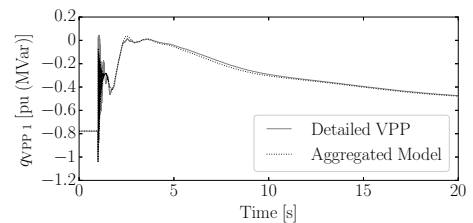
(a) System frequency.



(b) VPP1 active power at POC.



(c) Bus voltages.



(d) VPP1 reactive power at POC.

Fig. 14: Modified New England system, Scenario 1: generator outage.

C. Scenario 2: Load Outage

This scenario considers the outage of the load at bus 8 at $t = 1$ s. To avoid repetitions, we only show the system frequency and bus voltages. After the contingency, since the generation is greater than the loading, the system frequency increases. The aggregated model accurately captures such a dynamic response of the frequency as well as the voltage response as shown in Fig. 15.

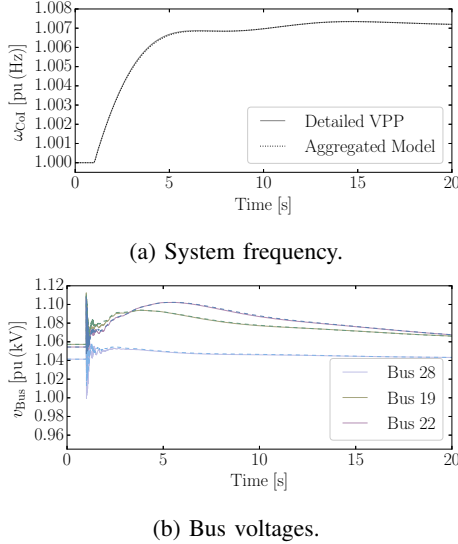


Fig. 15: Modified New England system, Scenario 2: load outage.

D. Scenario 3: Line Outage

This scenario considers the outage of the line connecting buses 2 and 25 at $t = 1$ s. Fig. 16 shows the system response obtained with the detailed and the proposed aggregated VPP models. In this case, the frequency response of the aggregated model presents a mismatch in the first 7 s after the contingency. This mismatch is due to the converter controller dynamics, whose dynamic effect is also shown in the EMT results discussed in Section IV. This mismatch, however, is very small in percentage and absolute values. It is visible only because of the small scale of the y-axis in Fig. 16a.

VI. CONCLUSION

This paper proposes an aggregated low-order model of VPP that is able to accurately capture the transient response of VPP with respect to the system contingencies. The proposed aggregated model consists of a current source to represent GFL-DG dynamics and a voltage source to represent GFMDG dynamics in the VPP. Loads are also properly represented in the proposed aggregated model. Simulation results indicates that, with this model, TSOs can study the dynamic response of the grid without loss of accuracy and with no need to model in detail the network and the various units in the VPP. In the future work, the effect of the VPP system resistance on the damping coefficient of the aggregated model could be further investigated. Besides, based on this model, the secondary control of the VPP could also be aggregated, and

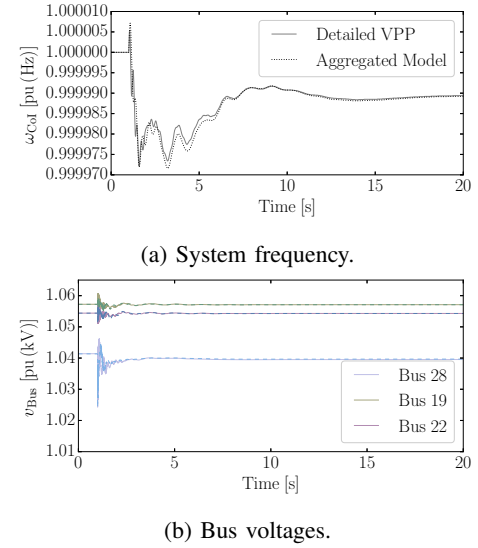


Fig. 16: Modified New England system, Scenario 3: line outage.

then frequency and voltage stability in a national grid could be analyzed.

REFERENCES

- [1] E. Mashhour and S. M. Moghaddas-Tafreshi, "Bidding strategy of virtual power plant for participating in energy and spinning reserve marketspart i: Problem formulation," *IEEE Transactions on Power Systems*, vol. 26, no. 2, pp. 949–956, 2011.
- [2] G. Zhang, C. Jiang, and X. Wang, "Comprehensive review on structure and operation of virtual power plant in electrical system," *IET Generation, Transmission Distribution*, vol. 13, no. 2, pp. 145–156, 2019.
- [3] J. Rocabert, A. Luna, F. Blaabjerg, and P. Rodriguez, "Control of power converters in ac microgrids," *IEEE Transactions on Power Electronics*, vol. 27, no. 11, pp. 4734–4749, 2012.
- [4] J. Hu, L. Sun, X. Yuan, S. Wang, and Y. Chi, "Modeling of type 3 wind turbines with df/dt inertia control for system frequency response study," *IEEE Transactions on Power Systems*, vol. 32, no. 4, pp. 2799–2809, 2017.
- [5] S. D'Arco, J. A. Suul, and O. B. Fosso, "A virtual synchronous machine implementation for distributed control of power converters in smart-grids," *Electric Power Systems Research*, vol. 122, pp. 180–197, 2015.
- [6] D. Dong, B. Wen, D. Boroyevich, P. Mattavelli, and Y. Xue, "Analysis of phase-locked loop low-frequency stability in three-phase grid-connected power converters considering impedance interactions," *IEEE Transactions on Industrial Electronics*, vol. 62, no. 1, pp. 310–321, 2015.
- [7] J. Chen and T. O'Donnell, "Analysis of virtual synchronous generator control and its response based on transfer functions," *IET Power Electronics*, vol. 12, no. 11, pp. 2965–2977, 2019.
- [8] Q. Shi, F. Li, and H. Cui, "Analytical method to aggregate multi-machine sfr model with applications in power system dynamic studies," *IEEE Transactions on Power Systems*, vol. 33, no. 6, pp. 6355–6367, 2018.
- [9] H. Huang, P. Ju, Y. Jin, X. Yuan, C. Qin, X. Pan, and X. Zang, "Generic system frequency response model for power grids with different generations," *IEEE Access*, vol. 8, pp. 14 314–14 321, 2020.
- [10] J. Dai, Y. Tang, Q. Wang, and P. Jiang, "Aggregation frequency response modeling for wind power plants with primary frequency regulation service," *IEEE Access*, vol. 7, pp. 108 561–108 570, 2019.
- [11] M. G. Taul, X. Wang, P. Davari, and F. Blaabjerg, "Reduced-order and aggregated modeling of large-signal synchronization stability for multi-converter systems," *IEEE Journal of Emerging and Selected Topics in Power Electronics*, pp. 1–1, 2020.
- [12] H. Ye, W. Pei, and Z. Qi, "Analytical modeling of inertial and droop responses from a wind farm for short-term frequency regulation in power systems," *IEEE Transactions on Power Systems*, vol. 31, no. 5, pp. 3414–3423, 2016.
- [13] J. Zhang and H. Xu, "Online identification of power system equivalent inertia constant," *IEEE Trans. on Industrial Electronics*, vol. 64, no. 10, pp. 8098–8107, 2017.

- [14] A. Tarkkainen, R. Pollanen, M. Niemela, and J. Pyrhonen, "Identification of grid impedance for purposes of voltage feedback active filtering," *IEEE Power Electronics Letters*, vol. 2, no. 1, pp. 6–10, 2004.
- [15] U. Rudez and R. Mihalic, "Analysis of underfrequency load shedding using a frequency gradient," *IEEE Transactions on Power Delivery*, vol. 26, no. 2, pp. 565–575, 2011.
- [16] F. Drfler, J. W. Simpson-Porco, and F. Bullo, "Breaking the hierarchy: Distributed control and economic optimality in microgrids," *IEEE Transactions on Control of Network Systems*, vol. 3, no. 3, pp. 241–253, 2016.
- [17] A. Yazdani, *Voltage-Sourced Converters in Power Systems Modeling, Control and Applications*. Canada: John Wiley and Sons, 2010.
- [18] A. Luna et al., "Grid Voltage Synchronization for Distributed Generation Systems Under Grid Fault Conditions," *IEEE Transactions on Industry Applications*, vol. 51, no. 4, pp. 3414–3425, July-Aug. 2015.
- [19] Y. Tan, L. Meegahapola, and K. M. Muttaqi, "A suboptimal power-point-tracking-based primary frequency response strategy for dfigs in hybrid remote area power supply systems," *IEEE Transactions on Energy Conversion*, vol. 31, no. 1, pp. 93–105, 2016.
- [20] Y. Li, Z. Xu, and K. P. Wong, "Advanced control strategies of pmsg-based wind turbines for system inertia support," *IEEE Transactions on Power Systems*, vol. 32, no. 4, pp. 3027–3037, 2017.
- [21] L. Zhang, L. Harnefors, and H. Nee, "Power-synchronization control of grid-connected voltage-source converters," *IEEE Transactions on Power Systems*, vol. 25, no. 2, pp. 809–820, 2010.
- [22] L. Huang, H. Xin, Z. Wang, K. Wu, H. Wang, J. Hu, and C. Lu, "A virtual synchronous control for voltage-source converters utilizing dynamics of dc-link capacitor to realize self-synchronization," *IEEE Journal of Emerging and Selected Topics in Power Electronics*, vol. 5, no. 4, pp. 1565–1577, 2017.
- [23] S. D'Arco and J. A. Suul, "Equivalence of virtual synchronous machines and frequency-droops for converter-based microgrids," *IEEE Transactions on Smart Grid*, vol. 5, no. 1, pp. 394–395, 2014.
- [24] M. Liu, J. Chen, and F. Milano, "On-line inertia estimation for synchronous and non-synchronous devices," 2020, submitted to the *IEEE Transactions on Power Systems*, under review. [Online]. Available: <http://faraday1.ucd.ie/archive/papers/inertiaest.pdf>
- [25] F. Milano and Á. Ortega, "A method for evaluating frequency regulation in an electrical grid – Part I: Theory," *IEEE Transactions on Power Systems*, pp. 1–11, 2020, pre-print.
- [26] Á. Ortega and F. Milano, "A method for evaluating frequency regulation in an electrical grid – Part II: Applications to non-synchronous devices," *IEEE Transactions on Power Systems*, pp. 1–10, 2020, pre-print.
- [27] J. Chen and T. O'Donnell, "Parameter constraints for virtual synchronous generator considering stability," *IEEE Transactions on Power Systems*, vol. 34, no. 3, pp. 2479–2481, 2019.
- [28] J. Chen, M. Liu, C. O'Loughlin, F. Milano, and T. O'Donnell, "Modelling, simulation and hardware-in-the-loop validation of virtual synchronous generator control in low inertia power system," in *2018 Power Systems Computation Conference (PSCC)*, 2018, pp. 1–7.
- [29] F. Milano, *Power System Modelling and Scripting*. London: Springer, 2010.
- [30] F. Milano, "A Python-based software tool for power system analysis," in *2013 IEEE Power Energy Society General Meeting*, 2013, pp. 1–5.



Junru Chen (S17-M20) received the ME and Ph.D. degree in Electrical Energy Engineering from University College Dublin in 2016 and 2019. He was exchanging student at Kiel University (Germany) in 2018 and at Tallinn University of Technology (Estonia). He is currently a senior researcher at University College Dublin and a visiting scholar at Aalborg University, Denmark. His current research interests in Power electronics control, modeling, stability and application.



Federico Milano (S'02, M'04, SM'09, F'16) received from the University of Genoa, Italy, the ME and Ph.D. in Electrical Engineering in 1999 and 2003, respectively. From 2001 to 2002, he was with the Univ. of Waterloo, Canada. From 2003 to 2013, he was with the Univ. of Castilla-La Mancha, Spain. In 2013, he joined the Univ. College Dublin, Ireland, where he is currently Professor of Power Systems Control and Protections and Head of Electrical Engineering. His research interests include power systems modeling, control and stability analysis.



Muyang Liu (S17-M20) received the ME and Ph.D. in Electrical Energy Engineering from University College Dublin, Ireland in 2016 and 2019. Since December 2019, she is a senior researcher with University College Dublin. Her scholarship is funded through the SFI Investigator Award with title "Advanced Modeling for Power System Analysis and Simulation." Her current research interests include power system modeling and stability analysis.